

PureLine Brilliant White
30" Warming Drawer

ESW 6880 BRWS



PureLine 30" Warming Drawer

ESW 6880 BRWS



ESW 6880 BRWS

Features:

- Touch controls
- Fan-assisted heating system
- Time control, 4-hour timer
- Temperature settings from 104°F to 185°F
- Keeps food or plates and cups warm
- Non-slip liner
- Cool touch front
- Soft Open
- Auto Close
- Warm dishware for up to 12 people
- Sabbath Program
- Movable half rack insert allows food and dishware to be stored and warmed on two levels
- The simple yet sleek Silhouette Chrome handle seems to float enhancing its modern design lines



SPECIFICATIONS

ESW 6880 BRWS - Item 30688012USA

Overall Unit Width - Excluding Fascia Dimension	25 ¹⁵ / ₁₆ " (659 mm)
Overall Height - Excluding Fascia Dimension	10 ⁹ / ₁₆ " (268 mm)
Overall Depth - Excluding Fascia Dimension	23 ⁷ / ₈ " (606 mm)
Overall Fascia Dimensions	29 ¹³ / ₁₆ " (757 mm) W x 10 ¹³ / ₁₆ " (275 mm) H x 1" (26 mm) D

Built-In

Minimum Cabinet Width	26 ⁵ / ₁₆ " (668 mm)
Maximum Cabinet Width	28 ¹ / ₂ " (724 mm)
Minimum Cabinet Depth	24" (610 mm)
Minimum Cabinet Height	10 ⁵ / ₈ " (270 mm)
Minimum Base Support	120 lbs
Minimum Shelf Spacing Between Stacked Product	³ / ₄ " (19 mm)

Electrical

Electrical Requirements	120V, 15A, 60Hz
Power Cord	Molded NEMA 5-15 plug, 5 ft (1.5 m)
Electrical Rating	1kW (120V)
Total Amps	6A on 120V

Shipping

Shipping Weight	70 lbs
Shipping Dimensions	32 ⁷ / ₈ " W x 14 ³ / ₈ " H x 29 ⁷ / ₈ " L

Support

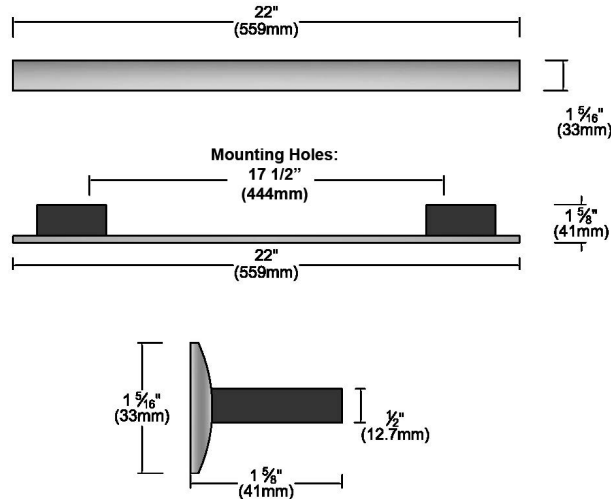
Call Miele	800.843.7231
Miele Website	www.mieleusa.com
20/20 Link	2020technologies.com

PureLine 30" Warming Drawer ESW 6880 BRWS



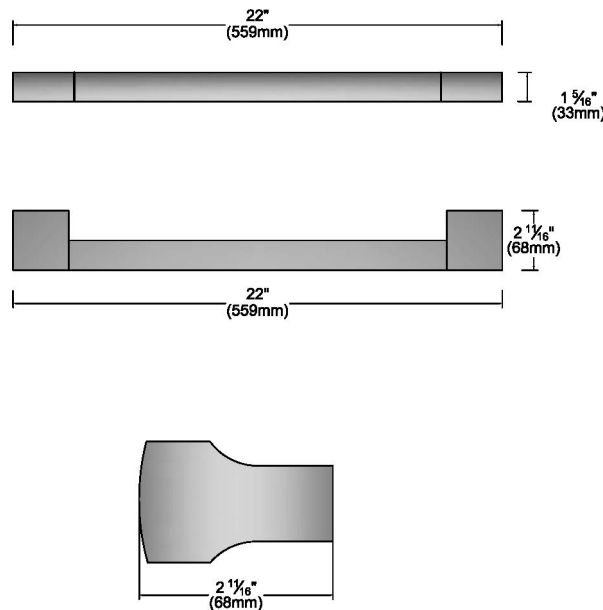
HANDLE DETAILS

All Miele Signature And PureLine
Handle Dimensions



Please note hinges may require adjusting or replacing when changing from a ContourLine Handle to a Pureline or Miele Signature handle.

All ContourLine Handle
Dimensions



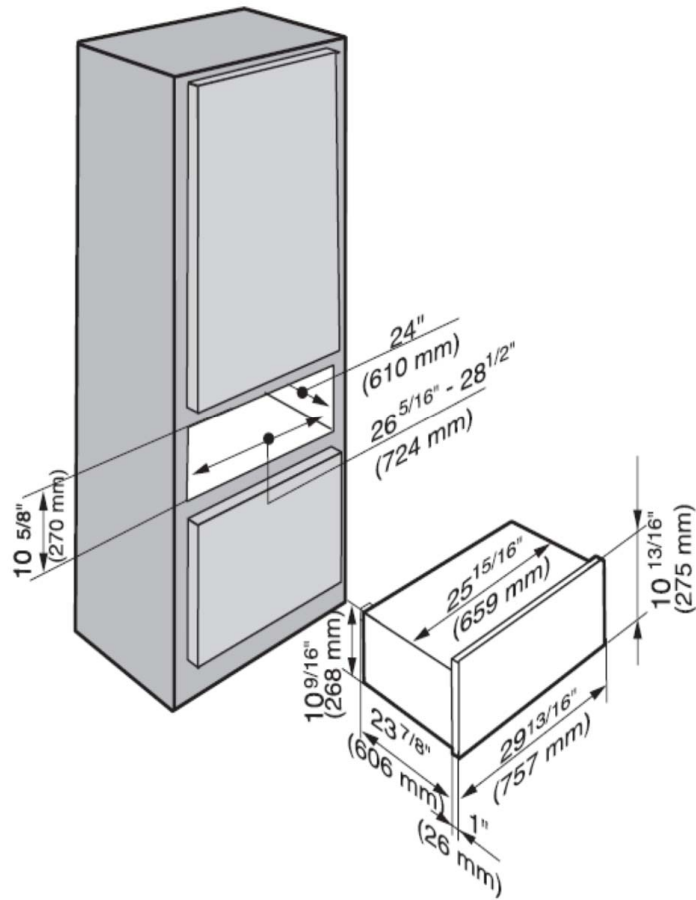
Please note hinges may require adjusting or replacing when changing from a Pureline or Miele Signature handle to a ContourLine Handle.

PureLine 30" Warming Drawer ESW 6880 BRWS

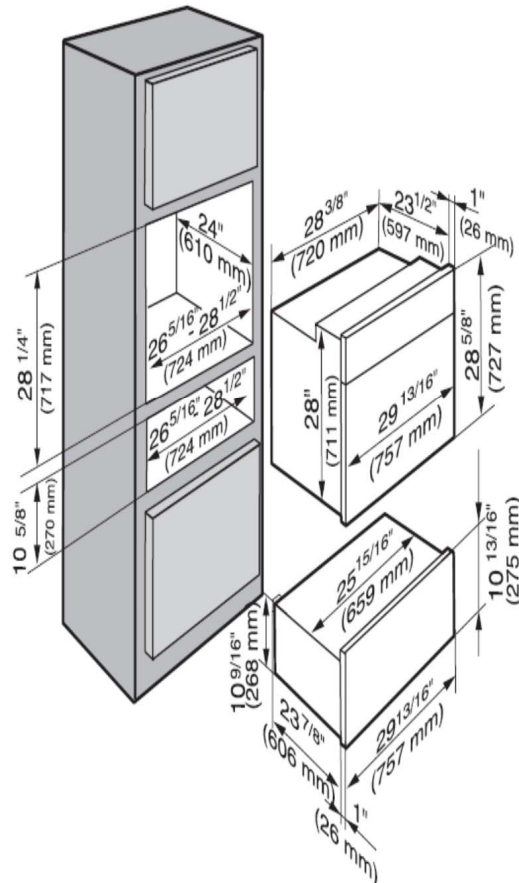


INSTALLATION SPECIFICATIONS

Solo Install



Install with 30" Oven

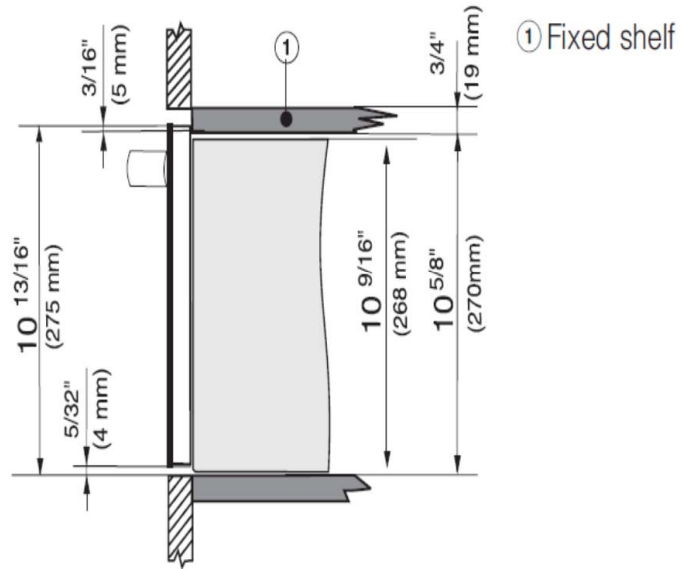


PureLine 30" Warming Drawer ESW 6880 BRWS



INSTALLATION SPECIFICATIONS

Side View



Side View with Oven

